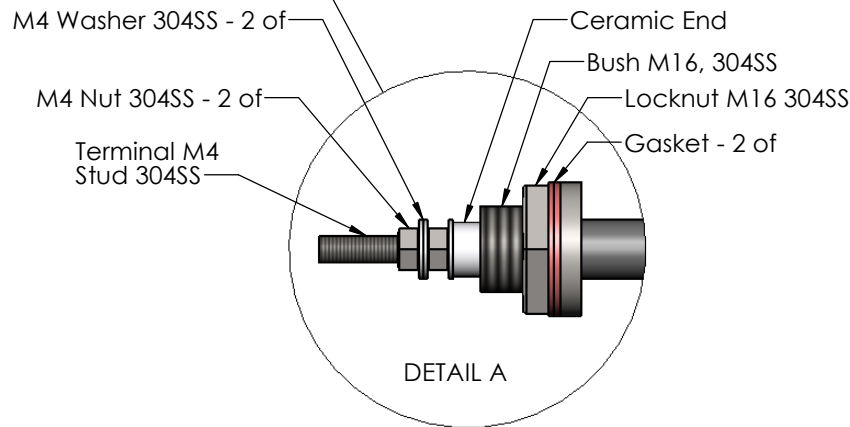


Part Number	Description	Immersion length (mm)	Weight (kg)
CYN01134FBBA006	Finned U 4.65W/cm <sup>2</sup> , 240V, 0.6kW, 230mmL	230	0.4
CYN01134FBBA008	Finned U 4.65W/cm <sup>2</sup> , 240V, 0.75kW, 280mmL	280	0.5
CYN01134FBBA010	Finned U 4.65W/cm <sup>2</sup> , 240V, 1.0kW, 378mmL	378	0.6
CYN01134FBBA013	Finned U 4.65W/cm <sup>2</sup> , 240V, 1.25kW, 430mmL	430	0.75
CYN01134FBBA015	Finned U 4.65W/cm <sup>2</sup> , 240V, 1.5kW, 534mmL	534	1.0
CYN01134FBBA018	Finned U 4.65W/cm <sup>2</sup> , 240V, 1.75kW, 580mmL	580	1.0
CYN01134FBBA020	Finned U 4.65W/cm <sup>2</sup> , 240V, 2.0kW, 670mmL	670	1.25
CYN01134FBBA025	Finned U 4.65W/cm <sup>2</sup> , 240V, 2.5kW, 830mmL	830	1.5
CYN01134FBBA030	Finned U 4.65W/cm <sup>2</sup> , 240V, 3.0kW, 980mmL	980	1.8
CYN01134FBBA035	Finned U 4.65W/cm <sup>2</sup> , 240V, 3.5kW, 1164mmL	1164	2.1
CYN01134FBBA040	Finned U 4.65W/cm <sup>2</sup> , 240V, 4.0kW, 1280mmL	1280	2.3
CYN01134FBBA045	Finned U 4.65W/cm <sup>2</sup> , 240V, 4.5kW, 1468mmL	1468	2.6
CYN01134FBBA050	Finned U 4.65W/cm <sup>2</sup> , 240V, 5.0kW, 1580mmL	1580	2.9



Finned air Heating Elements  
 Minimum recommended Air Velocity 1m/s  
 Maximum Sheath temp 400 Deg C @ 20 Deg C Ambient  
 Maximum operating temp 100 Deg C in Air  
 Wattage Tolerance +5% - 10%  
 This range Complies with AS1668.1 and AS3102



THE INFORMATION CONTAINED IN THIS DRAWING IS THE SOLE PROPERTY OF CYNEBAR. ANY REPRODUCTION IN PART OR AS A WHOLE WITHOUT THE WRITTEN PERMISSION OF CYNEBAR IS PROHIBITED.

UNLESS OTHERWISE SPECIFIED: DIMENSIONS ARE IN MILLIMETERS				FINISH:		DEBUR AND BREAK SHARP EDGES		DO NOT SCALE DRAWING		REVISION 0	
SURFACE FINISH:				TOLERANCES:		LINEAR:		ANGULAR:		TITLE:	
DRAWN Jensen Nydal				SIGNATURE		DATE 6/02/2013				Finned Tubular (11mm Series) U Shape 4.65 Watts per sq. cm	
CHK'D											
APP'VD											
MFG											
Q.A						MATERIAL: 304 SS		DWG NO.		A3	
						WEIGHT:		SCALE:1:1		SHEET 1 OF 1	