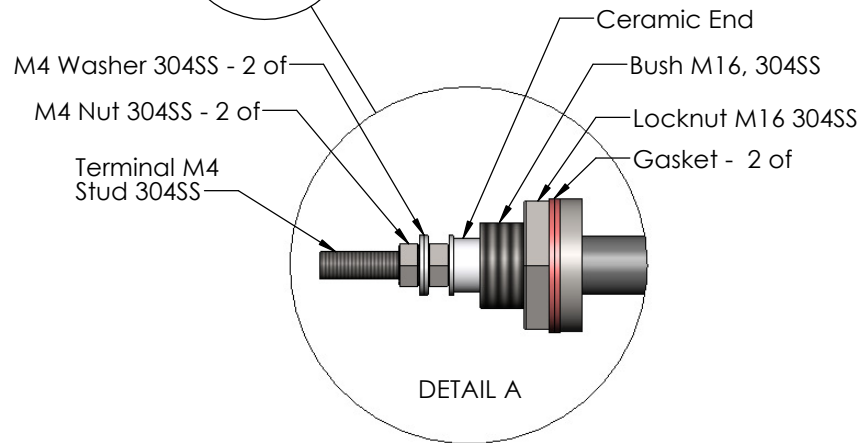


Fining 304SS
31.75mm Dia.
Pitch 5mm

Part Number	Description	Immersion length (mm)	Weight (kg)
CYN01135FBBA008	Finned W 4.65W/cm ² , 240V, 0.75kW, 155mmL	155	0.5
CYN01135FBBA010	Finned W 4.65W/cm ² , 240V, 1.0kW, 205mmL	205	0.6
CYN01135FBBA013	Finned W 4.65W/cm ² , 240V, 1.25kW, 235mmL	235	0.75
CYN01135FBBA015	Finned W 4.65W/cm ² , 240V, 1.5kW, 285mmL	285	1.0
CYN01135FBBA018	Finned W 4.65W/cm ² , 240V, 1.75kW, 310mmL	310	1.0
CYN01135FBBA020	Finned W 4.65W/cm ² , 240V, 2.0kW, 365mmL	365	1.25
CYN01135FBBA025	Finned W 4.65W/cm ² , 240V, 2.5kW, 435mmL	435	1.5
CYN01135FBBA030	Finned W 4.65W/cm ² , 240V, 3.0kW, 510mmL	510	1.8
CYN01135FBBA035	Finned W 4.65W/cm ² , 240V, 3.5kW, 600mmL	600	2.1
CYN01135FBBA040	Finned W 4.65W/cm ² , 240V, 4.0kW, 660mmL	660	2.3
CYN01135FBBA045	Finned W 4.65W/cm ² , 240V, 4.5kW, 775mmL	775	2.6
CYN01135FBBA050	Finned W 4.65W/cm ² , 240V, 5.0kW, 810mmL	810	2.9



Finned air Heating Elements
Minimum recommended Air Velocity 1m/s
Maximum Sheath temp 400 Deg C @ 20 Deg C Ambient
Maximum operating temp 100 Deg C in Air
Wattage Tolerance +5% - 10%
This range Complies with AS1668.1 and AS3102



THE INFORMATION CONTAINED IN THIS DRAWING IS THE SOLE PROPERTY OF CYNEBAR. ANY REPRODUCTION IN PART OR AS A WHOLE WITHOUT THE WRITTEN PERMISSION OF CYNEBAR IS PROHIBITED.

UNLESS OTHERWISE SPECIFIED: DIMENSIONS ARE IN MILLIMETERS				FINISH:	DEBUR AND BREAK SHARP EDGES	DO NOT SCALE DRAWING	REVISION	0
DRAWN				Jensen Nydal	6/02/2013	TITLE:		
CHKD						Finned Tubular (11mm Series) W Shape 4.65 Watts per sq. cm		
APPRD						DWG NO.		
MFG						A3		
Q.A					MATERIAL:	304 SS		
					WEIGHT:	SCALE:1:1		
						SHEET 1 OF 1		